

ECO-FRIENDLY
CARTRIDGE FILTER
HPF

SUITABLE FOR UP TO 30% H₂ FEED INTO THE GAS NETWORK

Cartridge filter

- Filter as vertical pressure device in welded steel construction
- For high-quality cleaning of gases in reducer stations upstream of gas pressure regulators
- Suitable for natural gas, related combustible gases, hydrogen and non-aggressive gases

Benefits

- Suitable for up to 30% H₂ feed into the gas network
- The compact design allows inline execution
- Stable fine cartridges guarantee high separation rates
- Customised design with free nozzle position, selectable gas rail axis, etc.
- Lower differential pressure due to generous flow cross-sections
- Ease of use for regular pressure equipment monitoring
- Sheath diameter from DN 200, standard equipment with the HEAT *energy* quick-release fastener
- Swivel arm as standard with the quick-release fasteners and larger container lid
- Special version also available for higher pressures and temperatures

Functional description

- Cleaning of dry gases with solid particle impurities through the cartridge insert
- Filter cartridge with galvanised outer and inner support cage, with impregnated, reinforced and folded cellulose, cartridge sealing reliably released by upper and lower perbunan ring
- Cleaning solids: 99.6% > 2 µm 99.9% 3 µm
- Differential pressure, clean cartridge: 10 - 20 mbar Cartridge change at max: 800 mbar
- Bursting differential pressure of the cartridge: min. 2.0 bar

Design and calculation

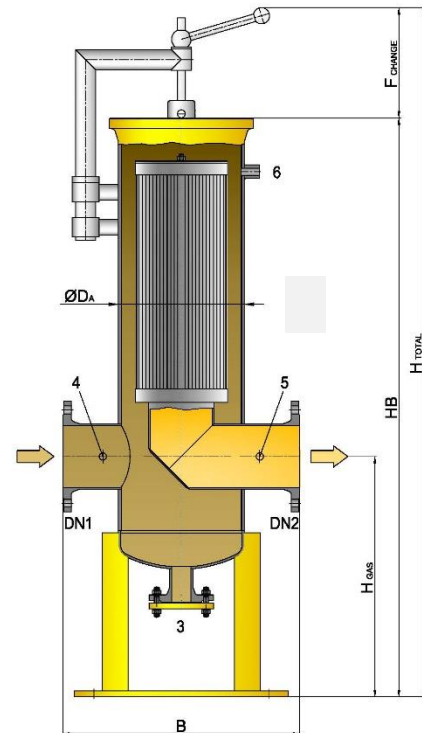
- Design in accordance with PED2014/68/EU, EN13445, AD2000; with CE marking
- Optional design in accordance with ASME Section VIII, with/without U-stamp, further specific country codes
- Continuous application of ISO9001 with regularly audited quality system
- Process-engineering design in accordance with own adapted calculation programmes
- NACE design possible as an option
- Low temperature and maximum pressure design available according to customer requirements
- Preliminary examination/construction testing, material testing, non-destructive material testing in accordance with design standard
- Customer-specific acceptance requirements optionally selectable
- Acceptance by experts such as TÜV, Lloyd, etc., also by a customer expert

Optional accessories

- Pressure safety valves, pressure gauges, thermometers
- Drain and vent cocks G1/2" for gas
- Blanking discs, insulation
- Stainless steel version possible, either entirely or from the cartridge outlet onwards
- Drainage fittings also as automatic devices, level indicators
- Coating systems for special locations

Technical data *without base construction

HPF Type / Press _{min}	Operating m ³ /h _{max} at p _{min} bar(g)					
	0-4	5-10	11-16	17-25	26-40	41-50
80.1	80	80	70	60	50	40
100.1	115	115	107	85	72	56
100.2	115	115	107	85	72	112
150.1	200	200	200	200	200	200
200.1	345	345	345	285	233	180
200.2	345	345	345	345	345	345
250.1	635	635	520	425	350	280
250.2	635	635	635	635	630	555
300.1	1230	1230	1135	850	765	610
300.2	1230	1230	1230	1230	1140	910
300.3	1230	1230	1230	1230	1230	1230
400.1	2060	2060	2060	1835	1510	1200
400.2	2060	2060	2060	2040	2040	1730
500.1	3100	3090	2920	2380	1950	1585
500.2	3100	3090	3090	3090	2940	2380
500.3	3100	3090	3090	3090	3060	3060
600.1	5200	5150	5150	5100	4200	3400
600.2	5200	5150	5150	5150	4930	4000
700.1	6200	6200	6200	6200	6200	5200
900.1	9000	9000	9000	7200	6100	5000
900.2	9000	9000	9000	9000	9000	9000
1100.1	15000	15000	15000	15000	13990	11440
1100.2	19500	19500	19500	16500	13990	11440



Standard sizes Customised solutions available – detailed design always in accordance with quote

HPF Type	DN _{Gas}	DN _{Drain}	Ø D _A mm	B min. overall length per pressure level			H _{total} mm	H _{Gas} mm	H _B mm	F _{change} mm	Filter cartridge		
				PN100/A600RF	PN40/A300RF	PN16/A150RF					pc	m ²	D/d *L
80.1	1,2	3	88,9	350	350	320	550 *	300	620	300	1	0,22	65/45 *194
100.1	50	G ½ "	114,3	380	380	320	560 *	310	630	300	1	0,31	73/45 *194
100.2							780 *	320	850	300	2	0,62	
150.1	50	25	168,3	470	400	390	610 *	350	690	300	1	1,25	122/60 *250
200.1	80	50	219,1	550	520	460	720*	450	800	300	1	1,00	152/90 *200
200.2							920*		1000	300	2	2,00	
250.1	100	50	273,0	650	590	530	790*	500	870	300	1	1,50	212/150 *200
250.2							990*		1010	300	2	3,00	
300.1	150	80	323,9	770	650	610	1660	650	1310	400	2	3,30	232/170 *200
300.2							1860		1510	400	3	4,95	
300.3							2060		1710	400	4	6,60	
400.1	200	80	406,4	900	780	740	2030	800	1830	520	1	6,48	280/220 *200
400.2							2330		2130	520	2	9,26	280/220 *500
500.1	250	80	508,0	1050	930	850	2260	900	2060	620	1	8,40	332/270 *200
500.2							2660		2460	620	2	12,60	332/270 *600
500.3	300			1100	980	890	3060		2860	1020	1	16,80	332/270 *1000
600.1	300	100	610,0	1160	1040	960	2850	1000	2630	620	2	18,00	412/350 *600
600.2							3050		2830	720	2	21,20	412/350 *700
700.1	350	100	711,0	1300	1160	1080	2950	1100	2600	520	6	27,80	280/220 *500
800	400	100	750,0	1370	1230	1150	2950	1200	2700	520	14	40,20	182/120 *480
900.1	400	100	900,0	1650	1230	1150	3400	1300	3050	620	6	37,80	332/270 *600
900.2					1520	1440	3800	1300	3450	1020	3	50,40	332/270 *1000
											3		332/270 *600
1100.1	500	100	1100,0	2000	1880	1800	3800	1500	3550	720	6	63,60	412/350 *700
1100.2	600			2200	2080	2000	3900		720	6	63,60		

HEAT

GAS AND OIL EQUIPMENT

HEAT energy GmbH

A-2362 Biedermannsdorf, Rheinboldtstraße 16
Tel.: +43(0) 6648241616
heat-energy@heatgroup.at
www.heatgroup.at

HEAT gaswärmetechnische Anlagen GmbH

D-34119 Kassel, Querallee 41
Tel.: +49(0) 561288560
Fax: +49(0) 5612885620
office@heatgroup.de
www.heatgroup.de

HEAT Romania S.R.L.

RO-547 185 Cristesti (Targu Mures)
Strada Principală nr. 801
Tel.: +40(0) 365430057
Fax: +40(0) 365430057
office@heatgroup.ro
www.heatgroup.ro

HEAT Poland Sp. z o.o.

PL-40 761 Katowice, ul. Twarda 21
Tel.: +48 32 252 17 82
Fax: +48 32 252 17 82
info@heatgroup.pl
www.heatgroup.pl

QR code

Brochure

HEAT energy Kft.

H-8800 Nagykanizsa, Erdész u. 28.
Tel.: +36(0) 93537140
Fax: +36 93 537 142
heat-energy@heatgroup.hu
www.heatgroup.hu

LOG Oiltools Kft.

H-8800 Nagykanizsa, Erdész u. 28.
Tel.: +36(0) 93537140
Fax: +36 93 537 142
info@logoiltools.hu
www.logoiltools.hu

HEAT Hungary Kft.

H-1047 Budapest, Attila u. 63.
Tel.: +36(0) 13691532
Fax: +36(0) 13697216
heatgroup@heathungary.hu
www.heathungary.hu

HEAT Bulgas OOD

BG-1113 Sofia, Fr. Joliot Curie Str. 20, Office 803
Tel.: +359 88 945 2607
office@heatgroup.bg
www.heatgroup.at

QR code

Enquiry sheet

HEAT Holding International GmbH

A-2362 Biedermannsdorf, Siegfried Marcus-Straße 9
Tel.: +359 88 945 2607
Fax: +43 2236 73 130 - 300
ghi@heatgroup.at
www.heatgroup.at